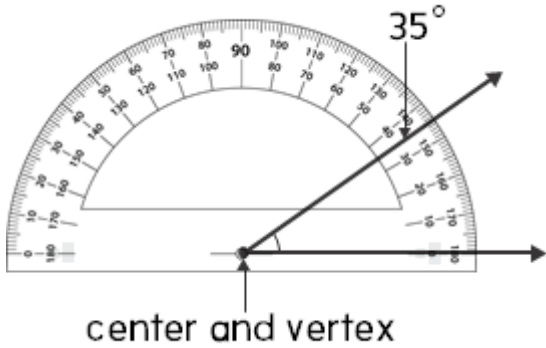


Lesson 5 Reteach

Measure Angles



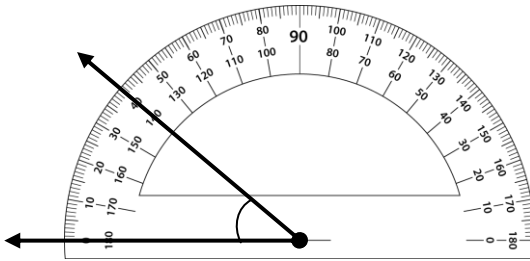
When measuring an angle, lay the center of the protractor on the vertex of the ray.

Align the ray with the straight edge of the protractor.

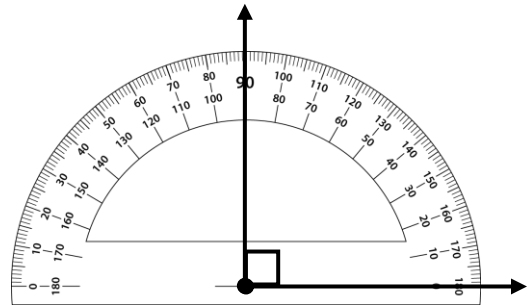
Follow the second ray to read degree of angle, 35° .

Use a protractor to measure each angle.

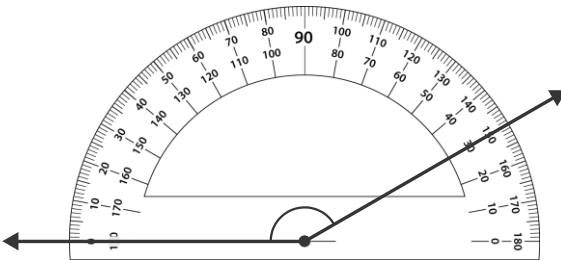
1.



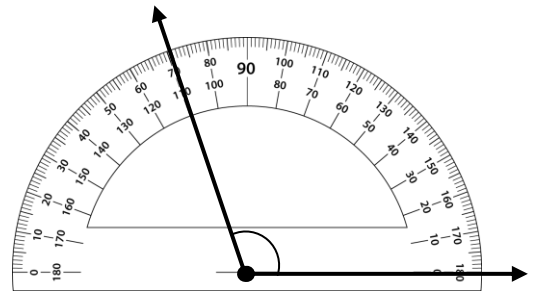
2.



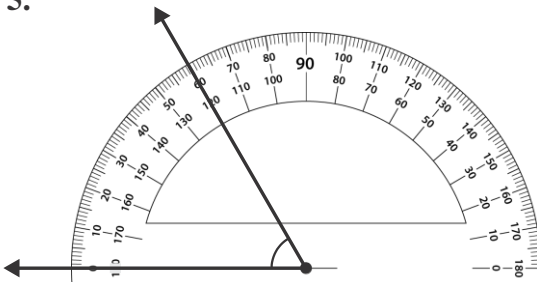
3.



4.



5.



6.

